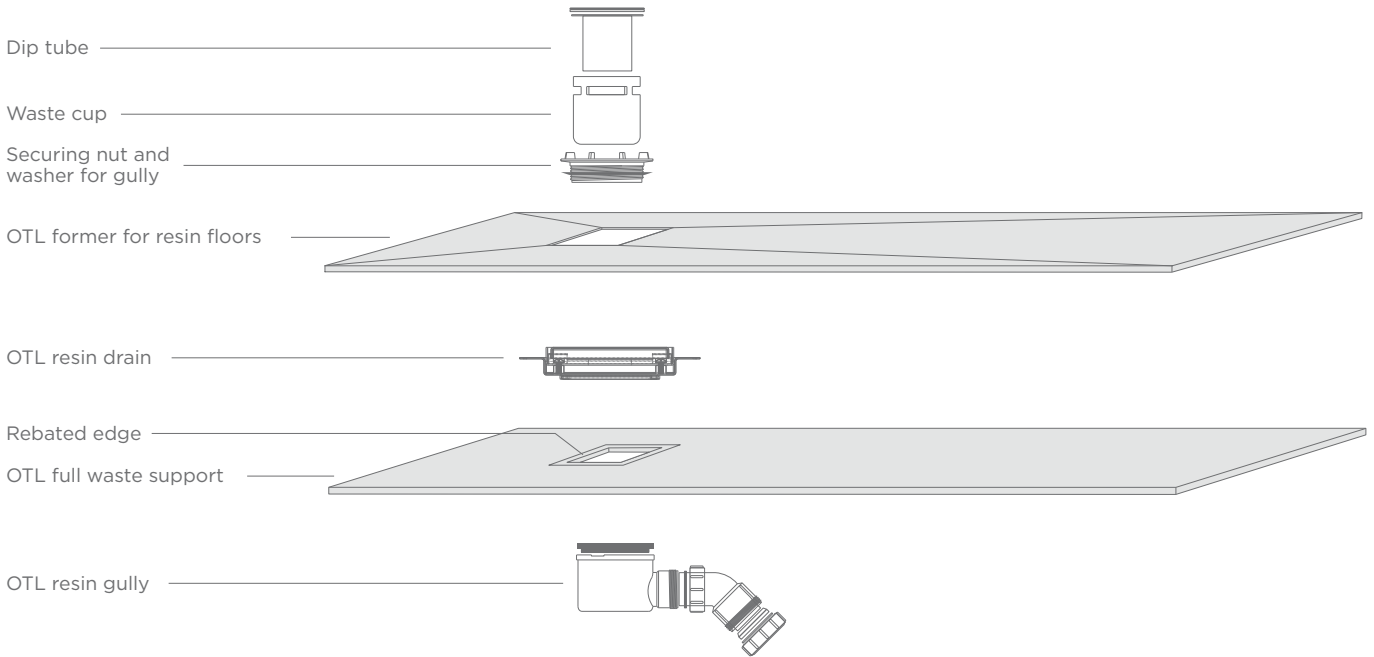


# RESIN FLOORING SYSTEM

## RESIN FLOOR COMPONENTS



### OTL TILE SETS



OTL RFPT-B  
(brushed finish)



OTL RFPT-P  
(polished finish)

### OTL WATER TRAP



50mm water seal trap body with 2" multifit outlet.

Overall height with tile: 120mm.

Flow rate: 50l/min. (flow rate calculated under a constant 15mm head of water)

OTL ST90-HPB

HOW TO MEASURE UP - SEE PAGES 14-15

