

**THE MIDLAND METROPOLITAN UNIVERSITY HOSPITAL**

SMETHWICK

otl

# MIDLAND HOSPITAL

## SPEC SHEET

### SECTOR:

Healthcare

### OUR CLIENT:

Met techno

### OTL PRODUCTS SPECIFIED:

300 bespoke OTL Level Access wet room flooring systems for vinyl sheet flooring



## PROJECT OVERVIEW

At the start of October 2020, the Prime Minister confirmed funding for 40 hospitals it plans to build or complete by 2030 as part of a package worth £3.7bn. The 40 hospitals include the completion of the Midland Metropolitan Hospital, which On The Level had the pleasure of providing 300 bespoke level access wet room floors for back in 2017 as part of the 21st century hospital's design commitment for all bathrooms in ward environments to be fully wheelchair accessible.

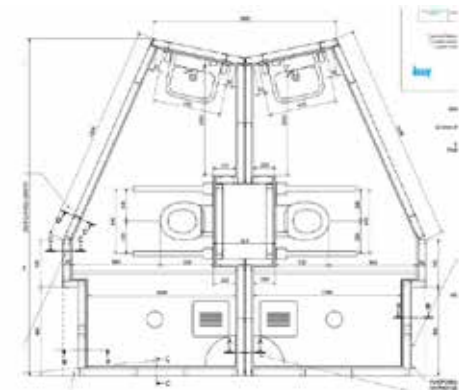
As On The Level specialise in bespoke whole bathroom floor requirements, we were able to provide a solution to fit in every bathroom required no matter the size or shape of the designed space. Our bespoke floors were then inserted into an offsite pod base by our partner at the time, Met techno. The pod bases were then built up to go into the construction onsite.

The whole bathroom floors with falls incorporated in the shower areas, efficiently drains water away, avoiding slips and falls caused by standing water on the floor covering. The vinyl sheet flooring also provides a low maintenance, easy to keep clean solution for a busy hospital ward where cleanliness is of utmost importance.

Unfortunately, due to the collapse of Carillion back in January 2018 the hospital project was temporarily paused. With a new construction deal signed in December 2019, Balfour Beatty could continue work on the project with an aim to open the hospital in 2022. We look forward to visiting at this point to see the completed wet rooms.

The new Midland Metropolitan University Hospital in Smethwick will bring together maternity services, emergency care, inpatient care and surgery for people who need to stay for longer than 24 hours, onto a single, purpose-built facility.

It will have 669 beds and 13 operating theatre suites, expecting to provide capacity for approximately 81,455 inpatients and 115,045 outpatients every year.



otl