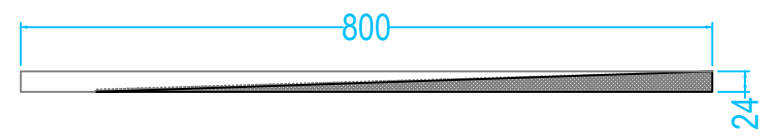
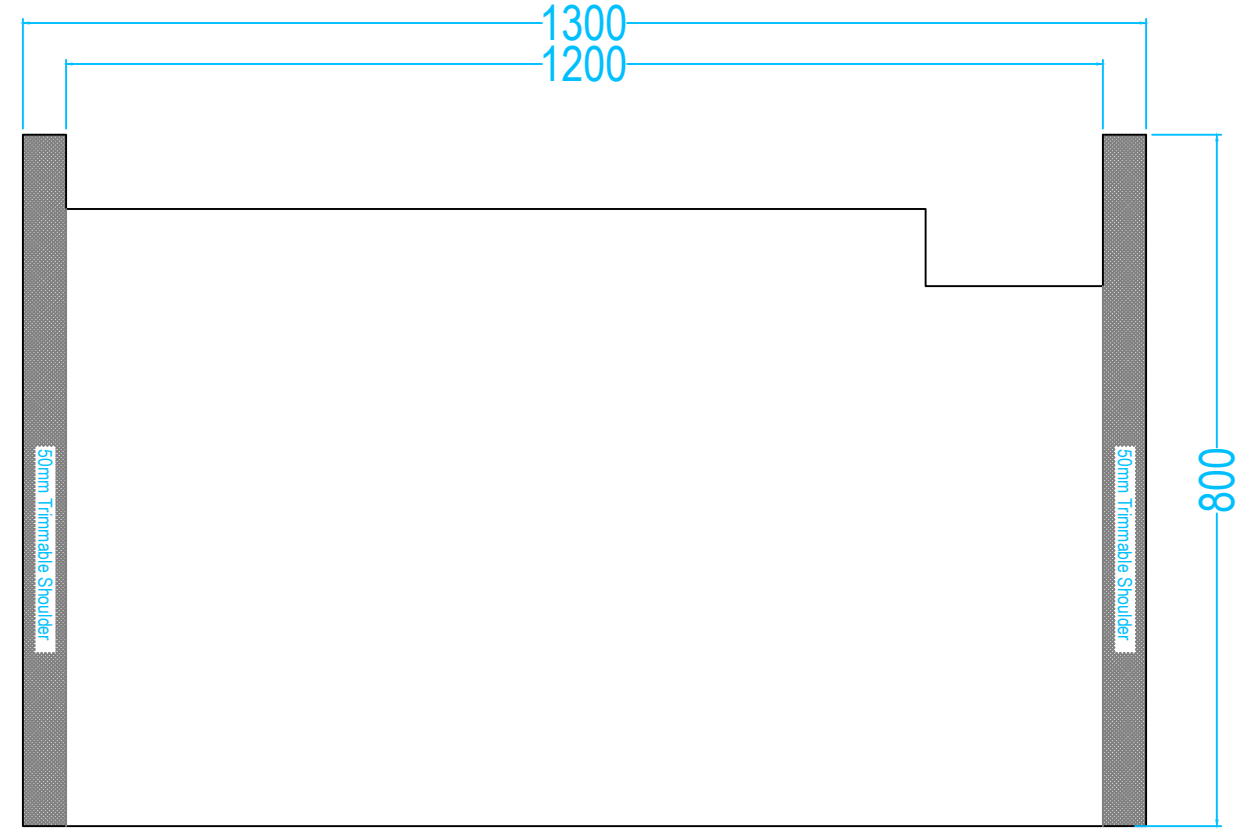


Unit 7-9 Youngs Industrial Estate,
 Stanbridge Road,
 Leighton Buzzard,
 Bedfordshire,
 LU7 4QB
 Tel: 01525 373 202
 Fax: 01525 373 222
 www.onthelevel.co.uk
 sales@onthelevel.co.uk
 technical@onthelevel.co.uk

Product Code
INFORM8/12RH12

Former for Right Hand Waste



Drawing Specification

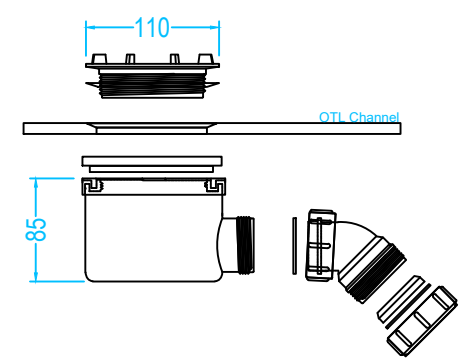
Product Description
 24mm former 800mm x 1200mm with integrated gradient.
 The formers have a precise, built-in fall, which ensures surface water flows in the direction of the waste outlet.

Purpose
 The OTL Infinity I-Line Former once installed is concealed. The purpose of a former is to provide a sufficient gradient in the floor within the showing zone.

Most Commonly Used In
 Private homes, high end developments, gyms, spas, hotels.

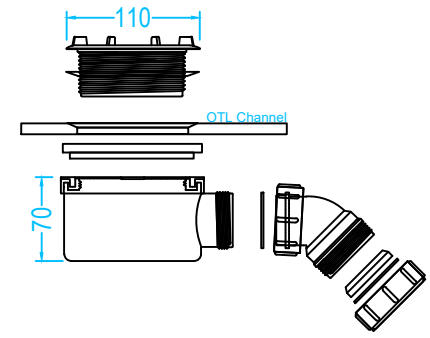
Install Particulars
 All OTL Infinity I-Line Formers can be trimmed onsite if required.

Used only in conjunctions with tiled floors.



ST90

Flow rate of 48 lpm



ST70

Flow rate of 38 lpm

