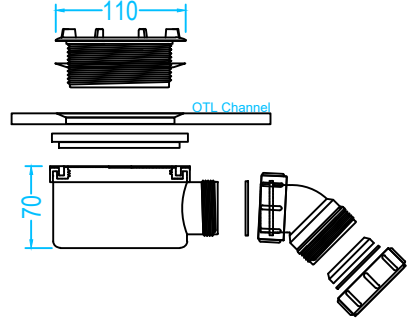
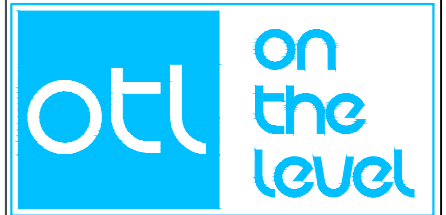


**ST90**  
Flow rate of 48 lpm



**ST70**  
Flow rate of 38 lpm



Unit 7-9 Youngs Industrial Estate,  
Stanbridge Road,  
Leighton Buzzard,  
Bedfordshire,  
LU7 4QB  
Tel: 01525 373 202  
Fax: 01525 373 222  
www.onthelevel.co.uk  
sales@onthelevel.co.uk  
technical@onthelevel.co.uk

Product Code  
**INFFORM8/12LH12**

**Drawing Specification**

**Product Description**  
24mm former 800mm x 1200mm with integrated gradient.  
The formers have a precise, built-in fall, which ensures surface water flows in the direction of the waste outlet.

**Purpose**  
The OTL Infinity I-Line Former once installed is concealed. The purpose of a former is to provide a sufficient gradient in the floor within the showing zone.

**Most Commonly Used In**  
Private homes, high end developments, gyms, spas, hotels.

**Install Particulars**  
All OTL Infinity I-Line Formers can be trimmed onsite if required.

Used only in conjunctions with tiled floors.

