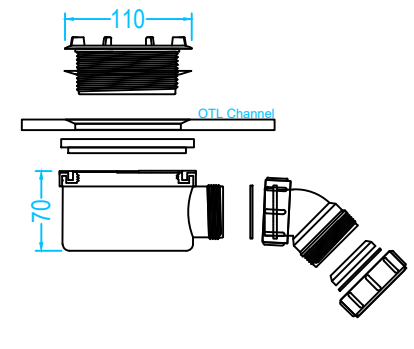
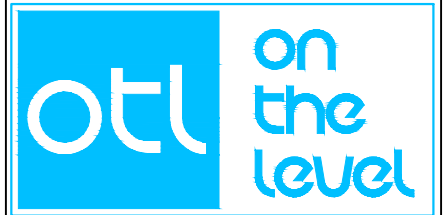


ST90
Flow rate of 48 lpm



ST70
Flow rate of 38 lpm



Unit 7-9 Youngs Industrial Estate,
Stanbridge Road,
Leighton Buzzard,
Bedfordshire,
LU7 4QB
Tel: 01525 373 202
Fax: 01525 373 222
www.onthelevel.co.uk
sales@onthelevel.co.uk
technical@onthelevel.co.uk

Product Code
INF 800 LH

Drawing Specification

Product Description
Infinity I-Line Channel provides a seamless finish in stainless steel, with an almost invisible channel edging the wall.

Purpose
To ensure water flow directly into the waste, with a luxurious look and feel, and no unsightly shower drains.

Most Commonly Used In
Private homes, high end developments, gyms, spas, hotels.

Install Particulars
All OTL Infinity I-Line Channels can be installed onto a timber or solid floor with tiles or slab materials.

Used only in conjunctions with tiled floors and OTL Tanking System.

