



Unit 7-9 Youngs Industrial Estate,  
 Stanbridge Road,  
 Leighton Buzzard,  
 Bedfordshire,  
 LU7 4QB  
 Tel: 01525 373 202  
 Fax: 01525 373 222  
 www.onthelevel.co.uk  
 sales@onthelevel.co.uk  
 technical@onthelevel.co.uk

Product Code  
**OTL Infinity 1200 Right**

**Drawing Specification**

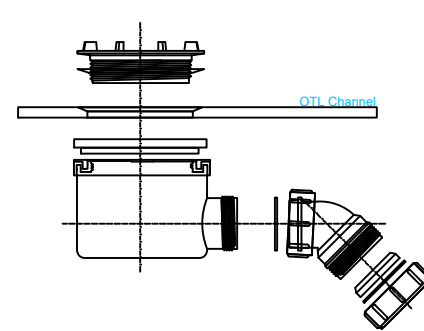
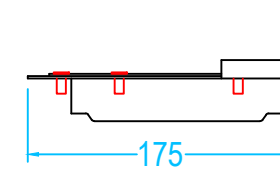
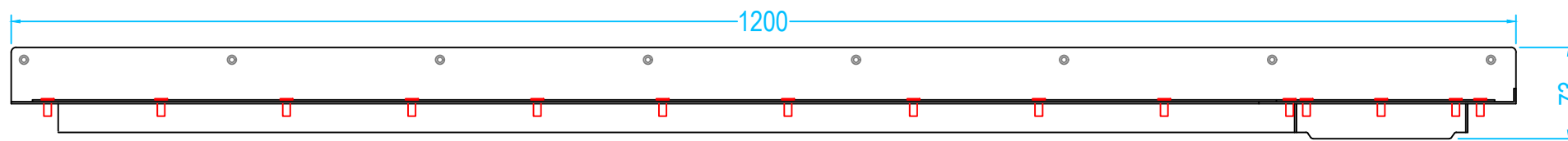
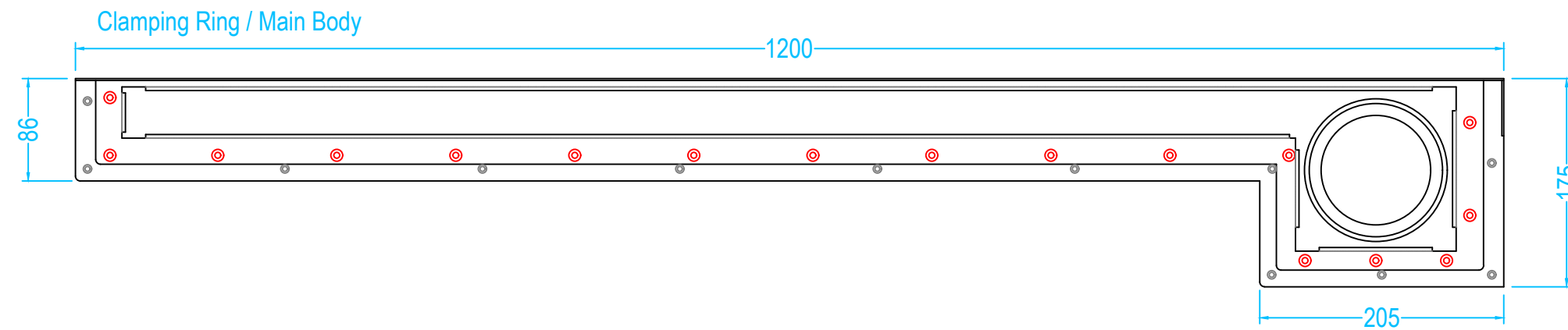
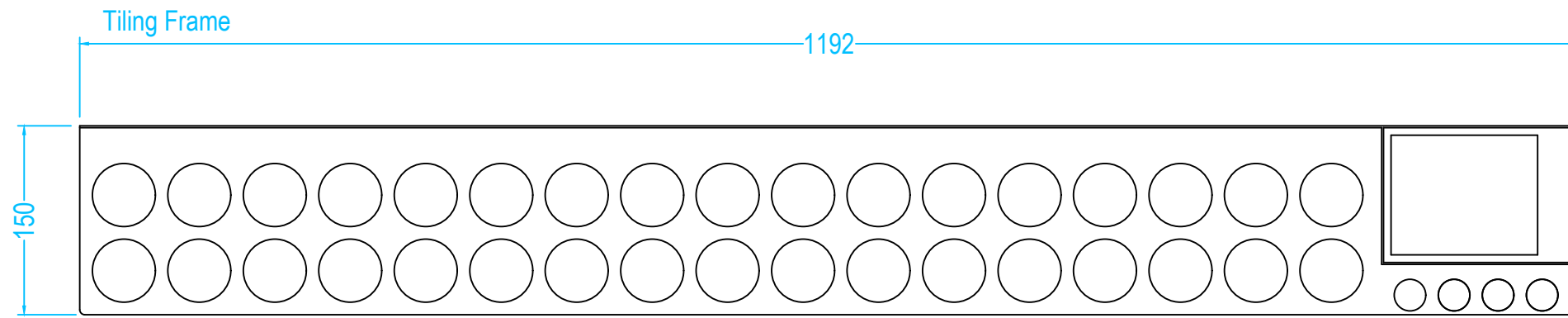
**Product Description**  
 1200 Infinity I-Line Channel provides a seamless finish in stainless steel, with an almost invisible channel edging the wall.

**Purpose**  
 To ensure water flow directly into the waste, with a luxurious look and feel, and no unsightly shower drains.

**Most Commonly Used In**  
 Private homes, high end developments, gyms, spas, hotels.

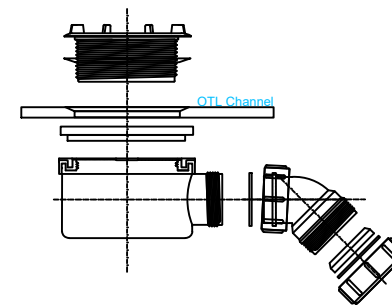
**Install Particulars**  
 All OTL Infinity I-Line Channels can be installed onto a timber or solid floor with tiles or slab materials.

**Used only in conjunctions with tiled floors and OTL Tanking System.**



**ST90**

Flow rate of 48 lpm



**ST70**

Flow rate of 38 lpm

