

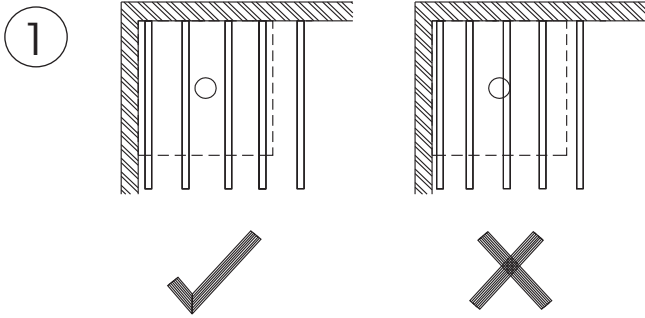
O N T H E  
L E V E L

# Installation instructions for Wet Room Shower Formers

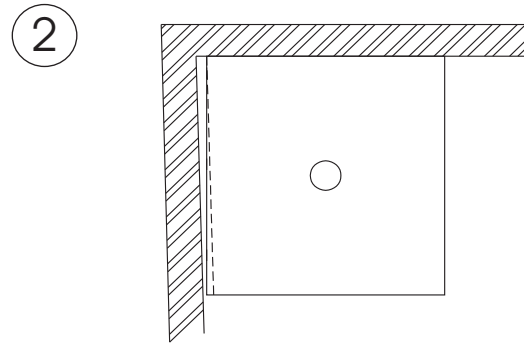
**THIS PRODUCT MUST BE TANKED**

On The Level  
Unit 8 Youngs Industrial Estate  
Stanbridge Road  
Leighton Buzzard  
Beds  
LU7 4QB  
Tel: +44 (0)1525 373202  
Fax: +44 (0)1525 373222

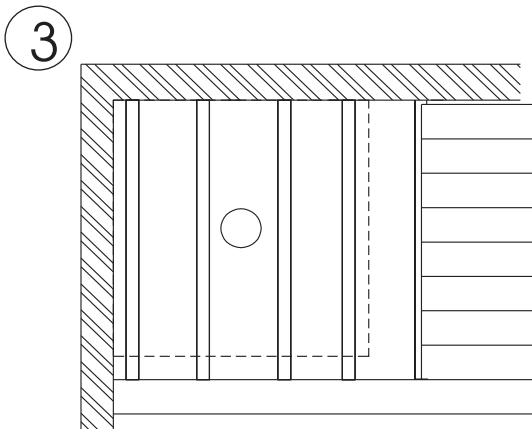
# Installation instructions for OTL Shower Formers (WET ROOMS)



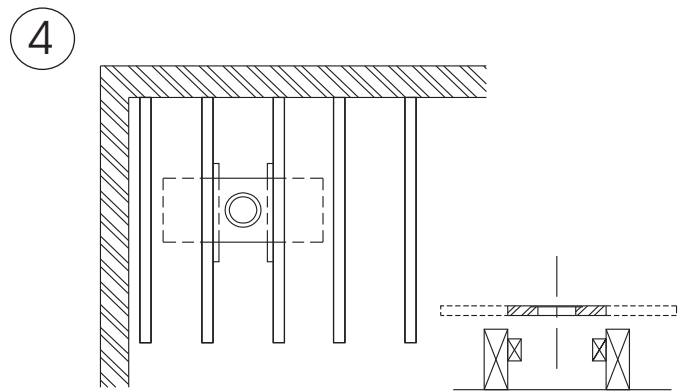
1 Locate the position of the shower area. Place the tray on the floor. Position the waste outlet hole so that it is not obstructed by any of the joists.



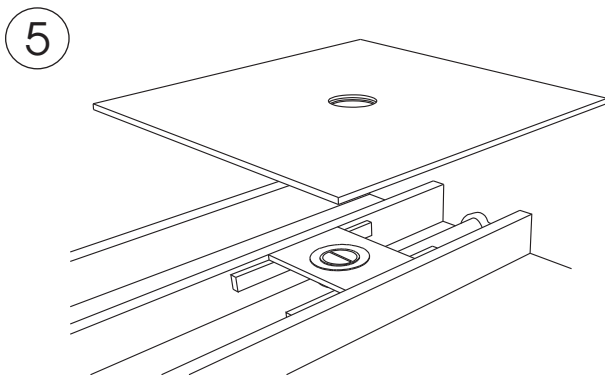
2 Place the tray into the corner. Scribe and cut to shape if necessary. Tank any cut edges. be tanked.



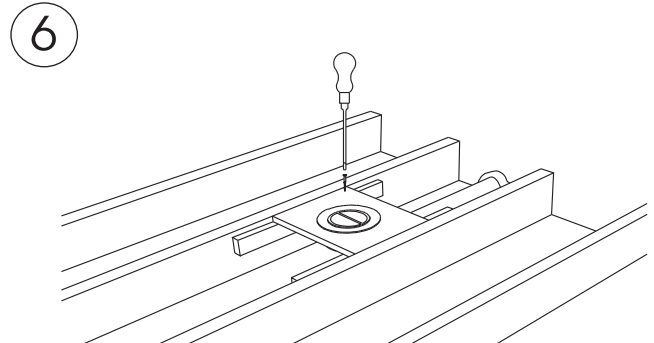
3 With the tray on the floor mark its position with a pencil. Move tray aside. Then remove the floor boards back to the nearest joists.



4 Place the supplied, piece of plywood (waste support) with the circular rebated edge to the top, over the position of the waste outlet. Cut to fit between the joists. Support on 2no. 50mm x 25mm battens screwed to the sides of the joists. Ensure the waste support is level with the top of the joists.



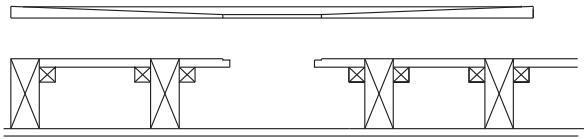
5 Place the tray into position and line up the waste support as necessary.



6 Carefully remove the tray and secure the waste support to the 25x50 battens using 2 off 50mm x No.8 countersunk screws. Install the trap as per the manufacturer's instructions.

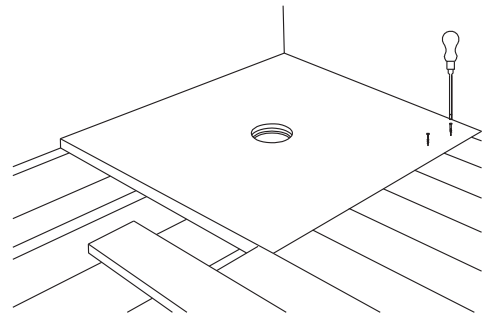
# Installation instructions for OTL Shower Formers (WET ROOMS)

7



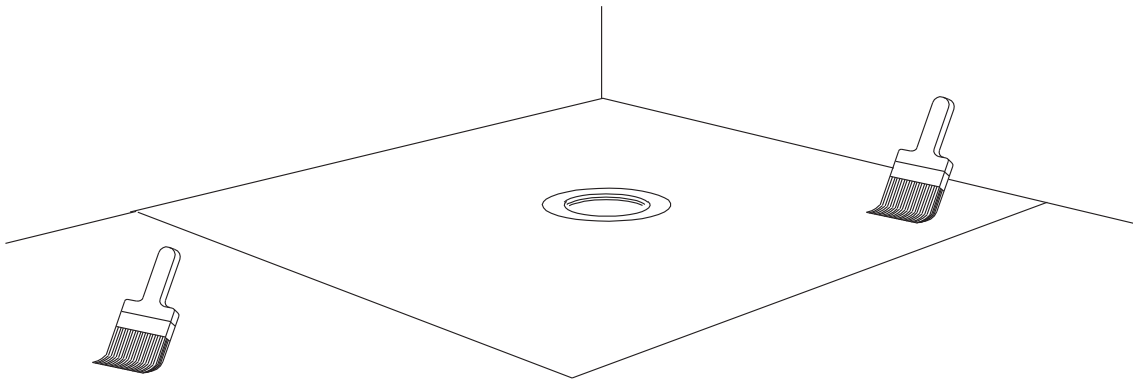
Build a false floor to the complete area covered by the tray. Ensure any parts of the tray, overhanging a joist (above right), are supported by false floor, noggins or trimmers. Ensure whole of the floor and tray are level.

8



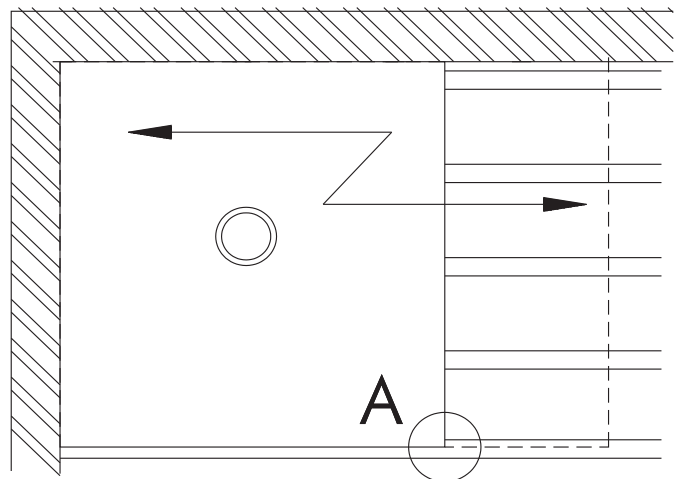
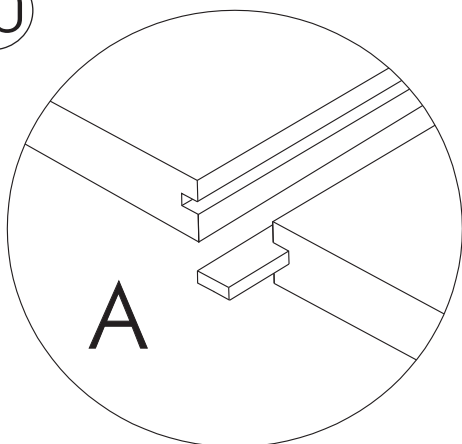
Secure the tray to the joists using 50mm x No 8 countersunk screws at 225mm centres. Remove rest of floor boards and replace with 24mm WPB plywood. Secured with 60mm x No 10 countersunk screws at 300mm centres

9



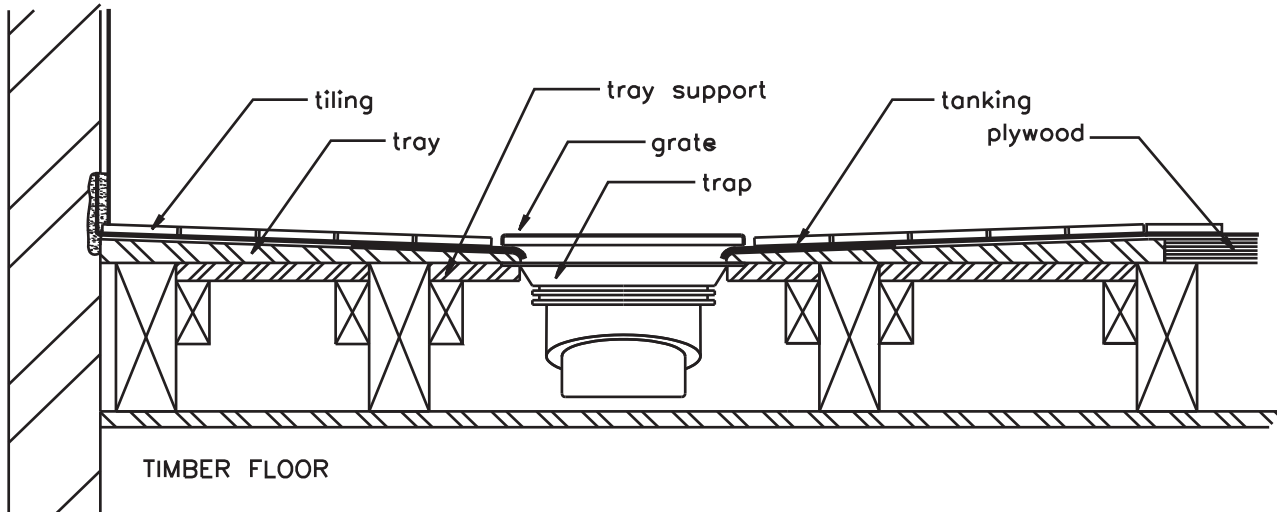
Tank the complete area, including the tray with Aquaproof in accordance with the manufacturers instructions, as supplied by On The Level. When tiling always use a flexible adhesive and grout.

10

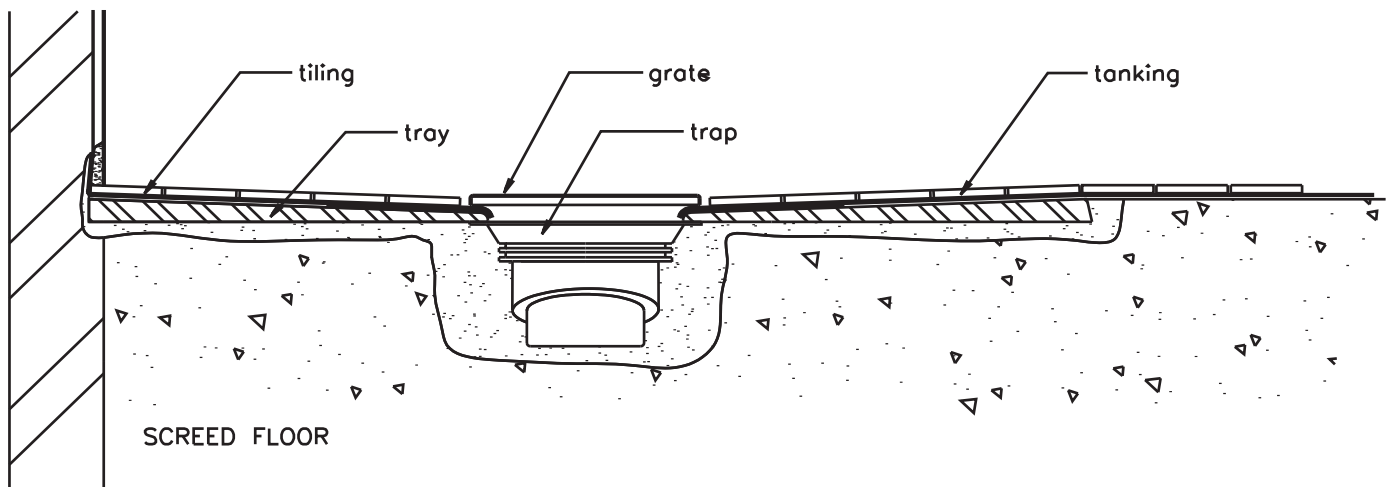


Larger formers come in 2 parts. Make a tight joint by tongue and gluing together, as in A. Support in the same way as instruction number 7.

# Installation instructions for OTL Shower Formers (WET ROOMS)

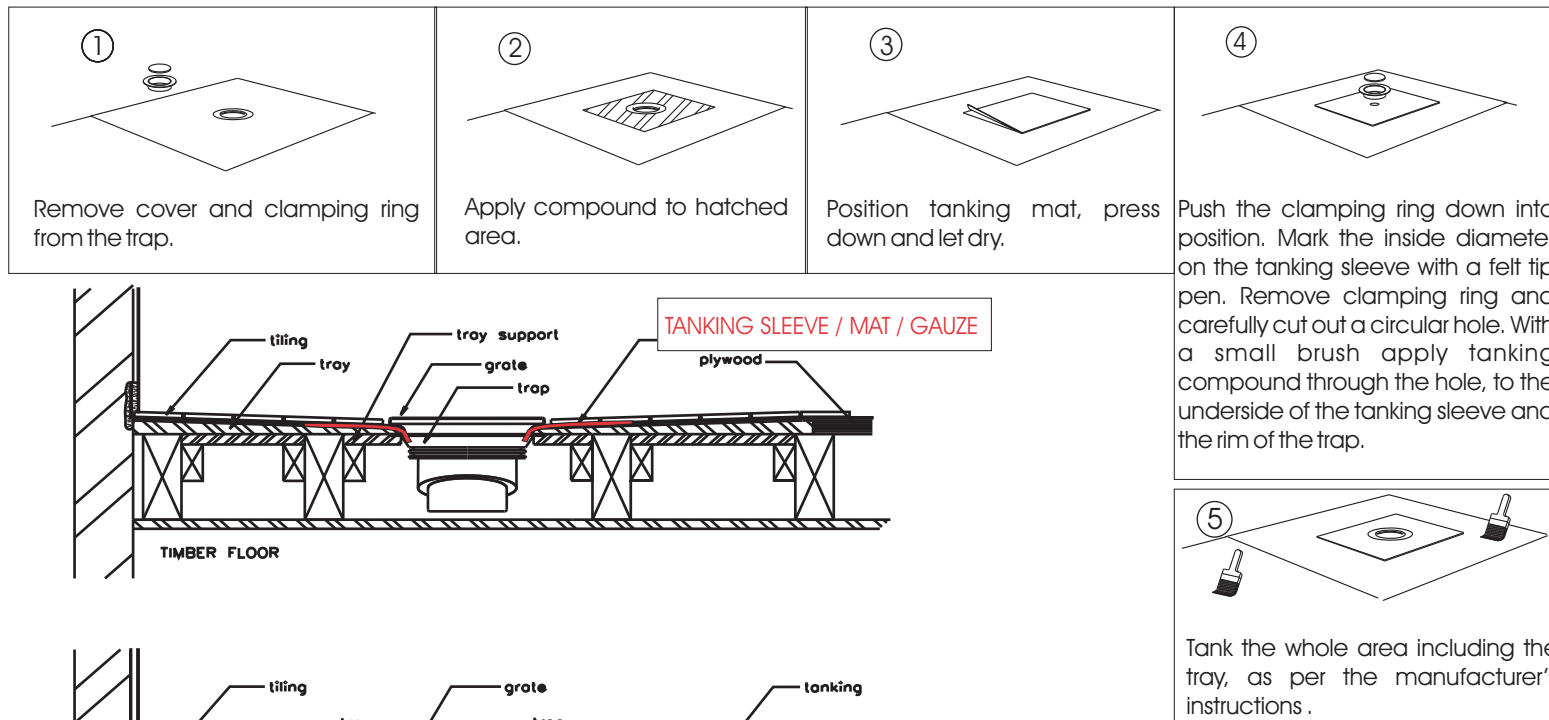


Section through an installation for a timber floor.



Section through an installation for a screeded floor.

## Installation instructions for Tanking Sleeve / Matt / Gauze into Mcalpine TSG50BB Shower Trap



On The Level  
 Unit 8 Youngs Industrial Estate  
 Stanbridge Road  
 Leighton Buzzard  
 Beds  
 L U7 4QB  
 Tel: +44 (0)1525 373202  
 Fax: +44 (0)1525 373222