

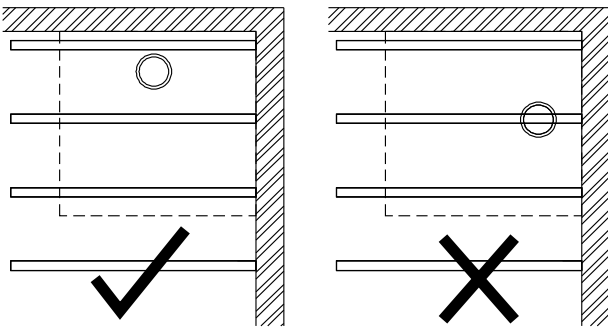
O N T H E
L E V E L

Installation instructions for Level Access Shower Formers

On The Level
Unit 8 Youngs Industrial Estate
Stanbridge Road
Leighton Buzzard
Beds
LU7 4QB
Tel: +44 (0)1525 373202
Fax: +44 (0)1525 373222

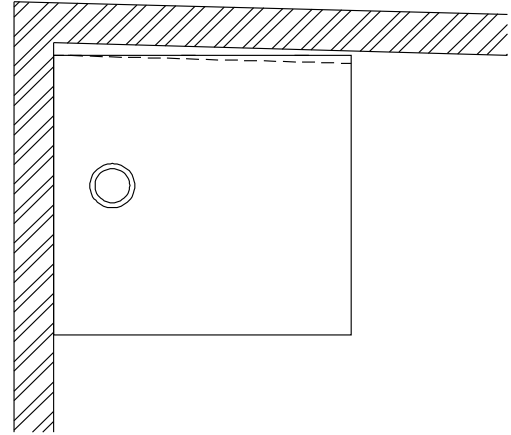
Installation instructions for OTL Shower Formers (level access)

1



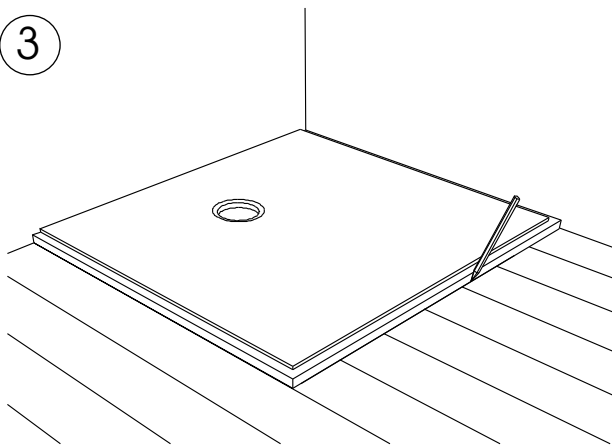
Locate the position of the shower area. Place the tray on the floor. Position the waste outlet hole so that it is not obstructed by any of the joists.

2



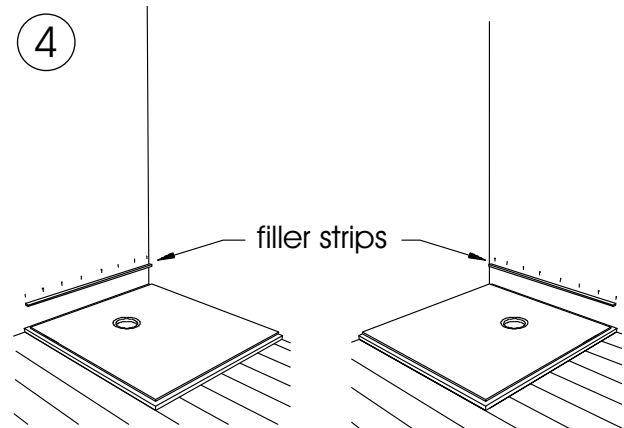
Place the tray into the corner. Scribe and cut to shape if necessary.

3



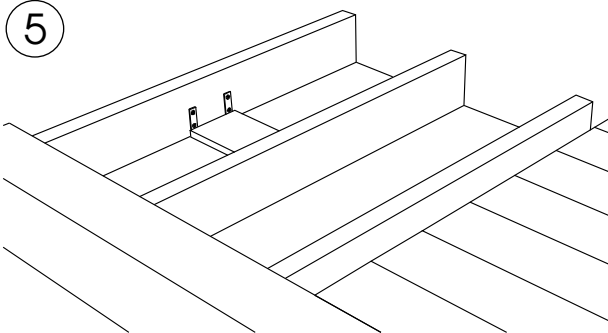
With the tray on the floor mark its position with a pencil. Move the tray aside and then remove the floorboards.

4



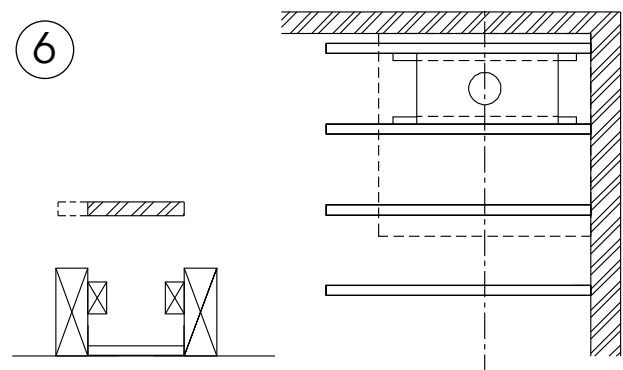
Secure the filler strip to fill the redundant rebate.

5



With the floorboards removed and supported as necessary, locate the position of the waste outlet. For a *trap support*, secure a piece of 150mm x 25mm plywood or similar, with 4 angle

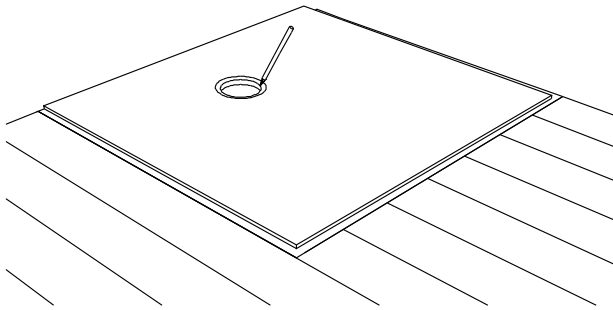
6



Place the supplied plywood waste support over the position of the waste outlet. Cut to fit between the joists. Support on 2 number 50mm x 25mm battens screwed to the sides of the joists. Ensure the waste support is level with the top of the joists.

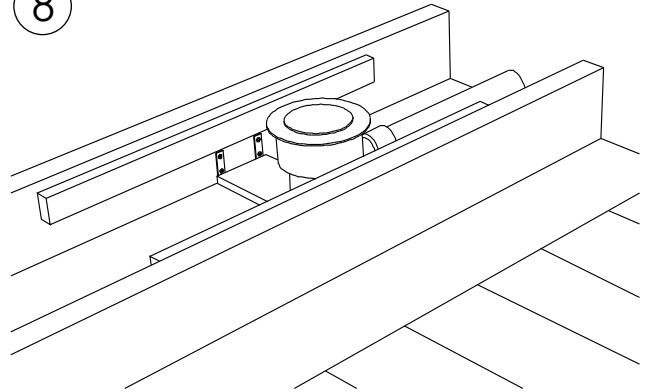
Installation instructions for OTL Shower Formers (level access)

7



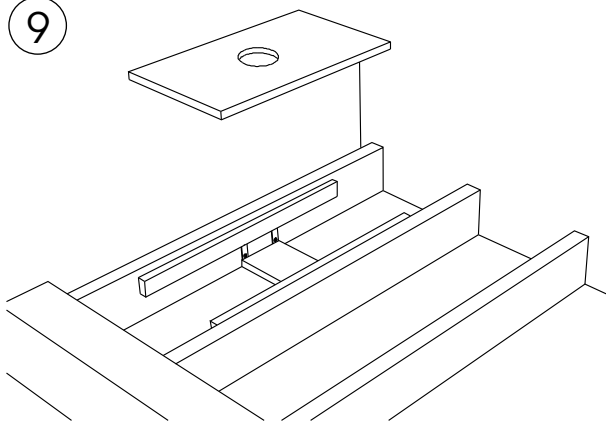
Place the tray in position and mark out the hole for the waste on the *waste support* plywood. Remove the tray and cut out the hole.

8



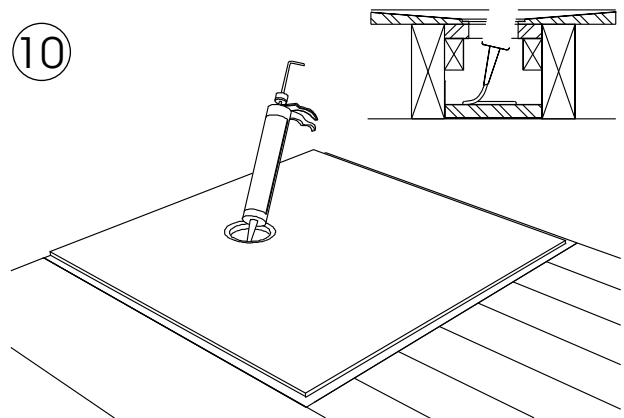
Place the trap on the *trap support* and position the waste pipe to a suitable drain, including where necessary forming a hole in the wall. Remove the trap.

9



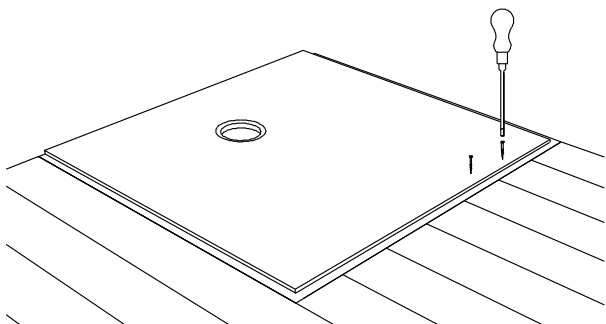
Secure the waste support to the battens. Place tray in position. **BEFORE FIXING THE TRAY MAKE SURE IT IS LEVEL ON ALL SIDES.**

10



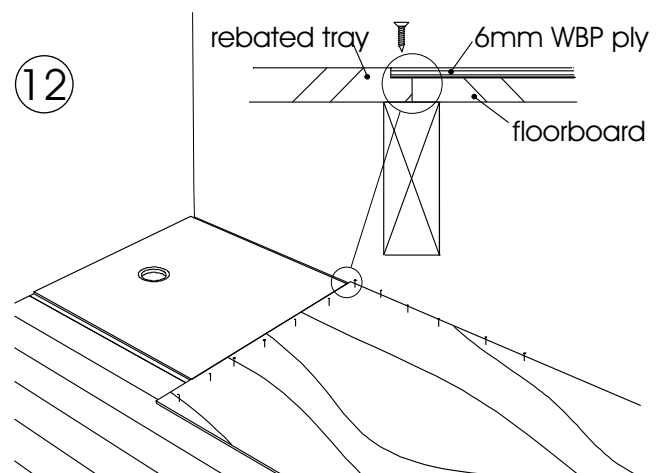
With the tray in position, apply a 6mm bed of mastic or similar, onto the trap support. Install the trap as the manufactures instructions, bedding it down on to the

11



Secure the tray to the joists using 50mm x No 8 countersunk screws on 225mm centres.

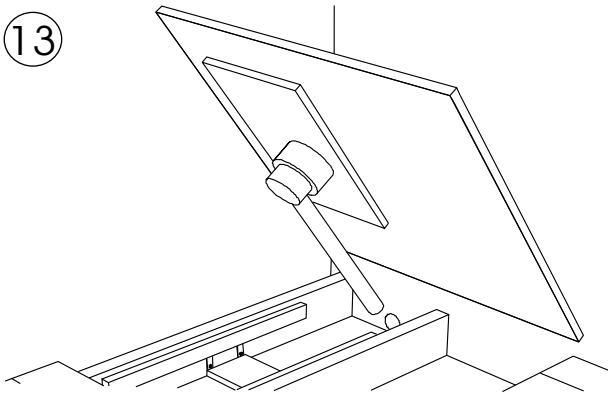
12



With the tray and all the flooring secured, line the floor with 6mm WBP ply. Pin and glue or screw plywood into the rebates. Sand level.

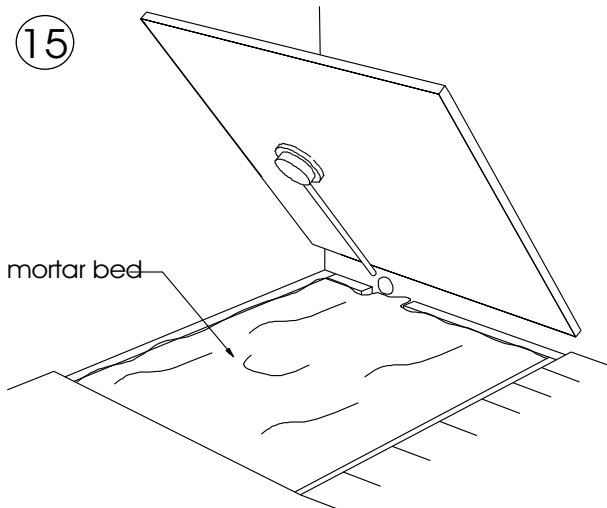
Installation instructions for OTL Shower Formers (level access)

13



Where it is difficult connecting the waste pipe, unscrew the tray and waste supports, replace both sections, screw the tray to the waste support, lift out, make up waste pipe and trap. Line up waste pipe and slide into

15

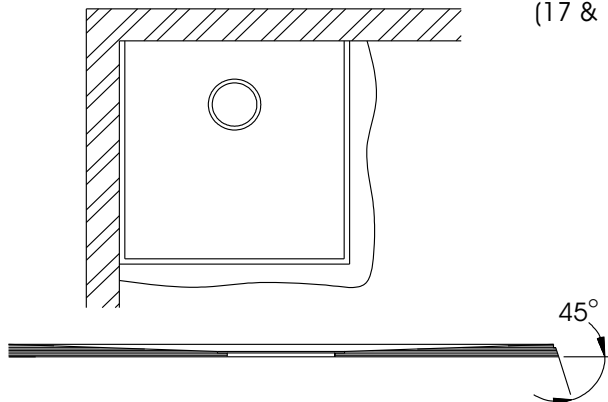


With the shallow waste installed on to the tray, bed the tray down onto a mortar bed, ensuring the waste trap is well supported.

17

SCREEDED FLOOR

Installation: **WITH** Damp Proof Membrane (17 & 18)

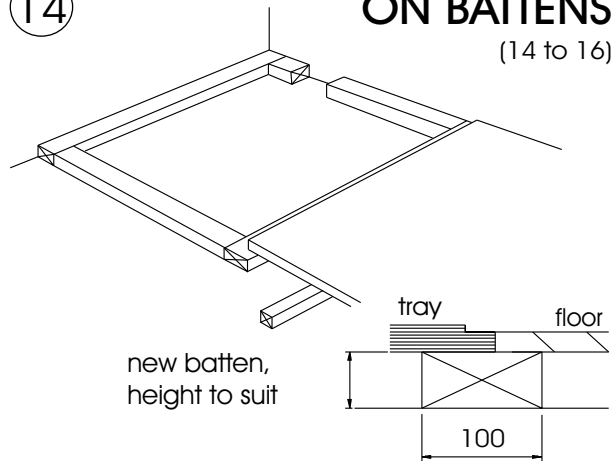


Hack up the floor screed to suit the tray size. Cut off the exposed rebated edges on the

14

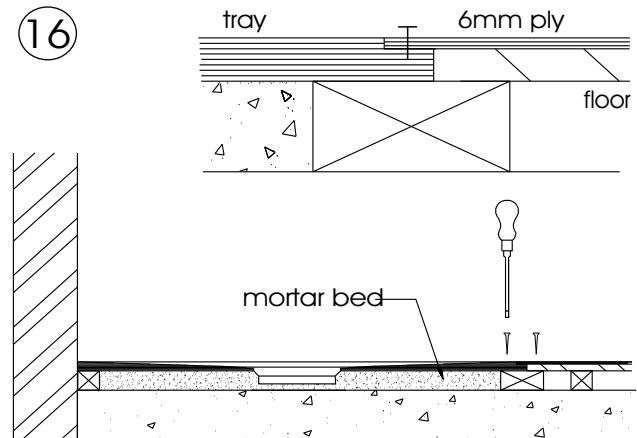
TIMBER FLOOR ON BATTENS

(14 to 16)



Follow previous instructions 1-4. Then batten around perimeter to support tray opening.

16



Screw down the perimeter of the tray and the floor to the battens, then pin down the ply to the batten as (12).

18

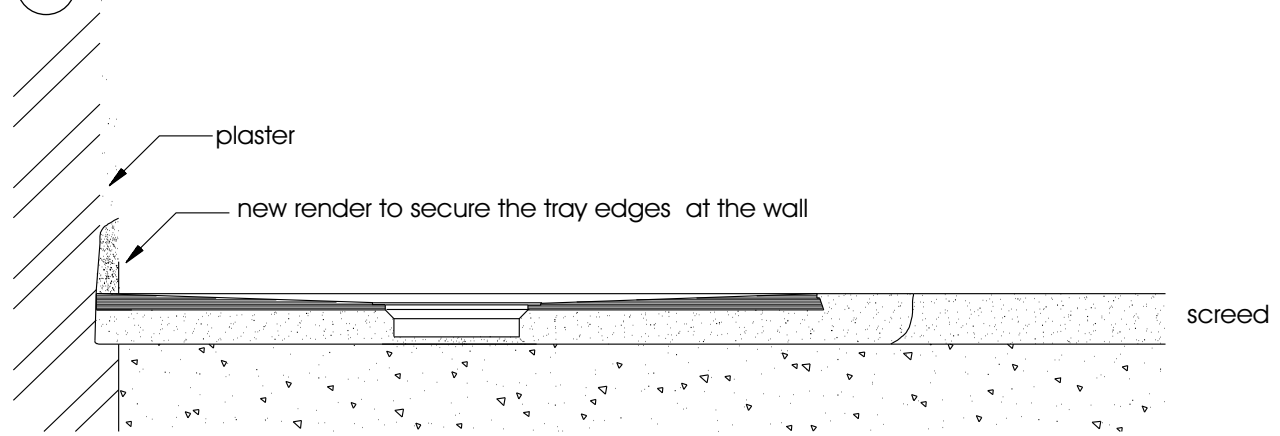
SCREEDED FLOOR

Installation: **WITHOUT** Damp Proof Membrane (17 & 18)

For Screeded floor installation **WITH OUT** a Damp Proof Membrane, hack out floor to suit as previous step 17. Ensure 2 coats of Bitumen paint are applied to all sides and edges of the tray. When dry, bed the tray on to the mortar, again as per the previous instruction 15

NOTE: Lay the necessary damp barrier, Alto

19

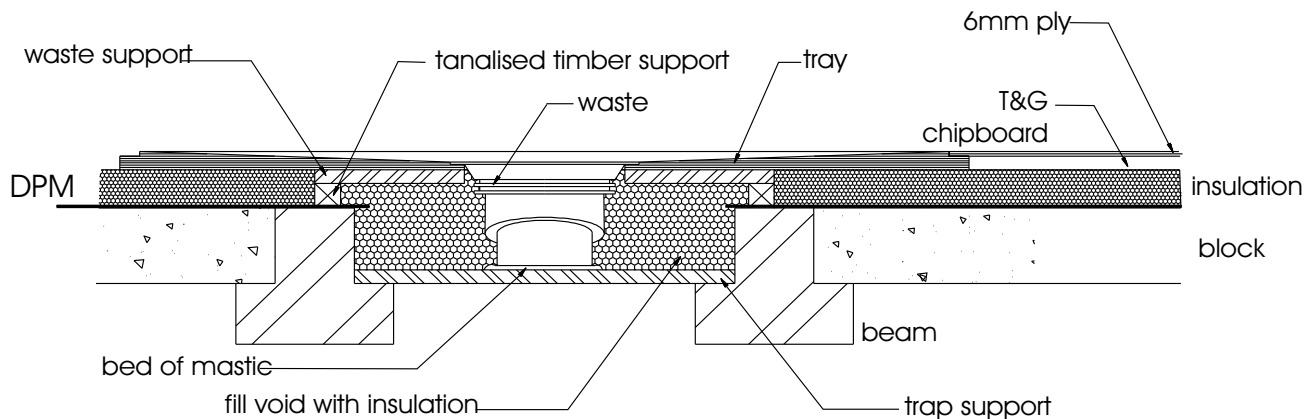


The tray assembly can then be bedded down on a mortar bed, (as 15) ensuring the waste is fully supported. Screed up to the tray edges. Edges at the wall can then be retained with

20

FLOATING FLOOR

Installation: on a **BLOCK & BEAM** flooring system



21

SHALLOW PUMPED WASTE OUTLET

Installation on a **BLOCK & BEAM** flooring system

